

ANT-LBR66193

ANT-LNBM66139

(DATASHEET)

Type	LTE MIMO antenna
Frequencies	2x 4G/LTE (791-862/1710-2690 MHz) AMPS (824-894 MHz) GSM (900 MHz) DCS (1800 MHz) PCS (1900 MHz) 3G (UMTS 2.1 GHz)
Mounting	B-Body Mount M-Magnetic Mount
Revision	00



1. SPECIFICATION

1.1. Electrical Specifications

LTE (Cable 1)

Frequencies	4G/LTE (791-862/1710-2690 MHz) AMPS (824-894 MHz) GSM (900 MHz) DCS (1800 MHz) PCS (1900 MHz) 3G (UMTS 2.1 GHz)
Impedance	50 Ohms
Polarization	Linear
Gain	5 dBi
VSWR*	<6:1
Power handling	50 W

LTE (Cable 2)

Frequencies	4G/LTE (791-862/1710-2690 MHz) AMPS (824-894 MHz) GSM (900 MHz) DCS (1800 MHz) PCS (1900 MHz) 3G (UMTS 2.1 GHz)
Impedance	50 Ohms
Polarization	Linear
Gain	5 dBi
VSWR*	<6:1
Power handling	50 W

Environmental

Operating temperature	40°C to +85°C
Certificates	IP67, IK09

*Values stated when measured on 20x20cm ground plane with 1m cable length

1.2. Connection Specifications

Cable 1 (LTE):
 Connector type: SMA male
 Cable: RG174
 Cable length: 1 m

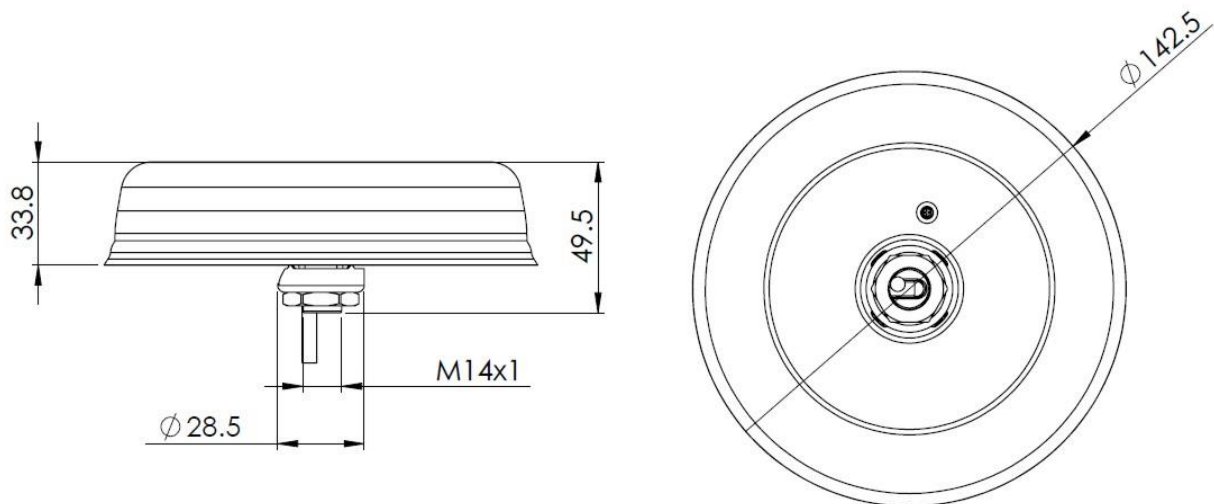
Cable 2 (LTE):
 Connector type: SMA male
 Cable: RG174
 Cable length: 1 m

For different cable length and connector type ask our sales team.

1.3. Mechanical Specifications and Dimensions

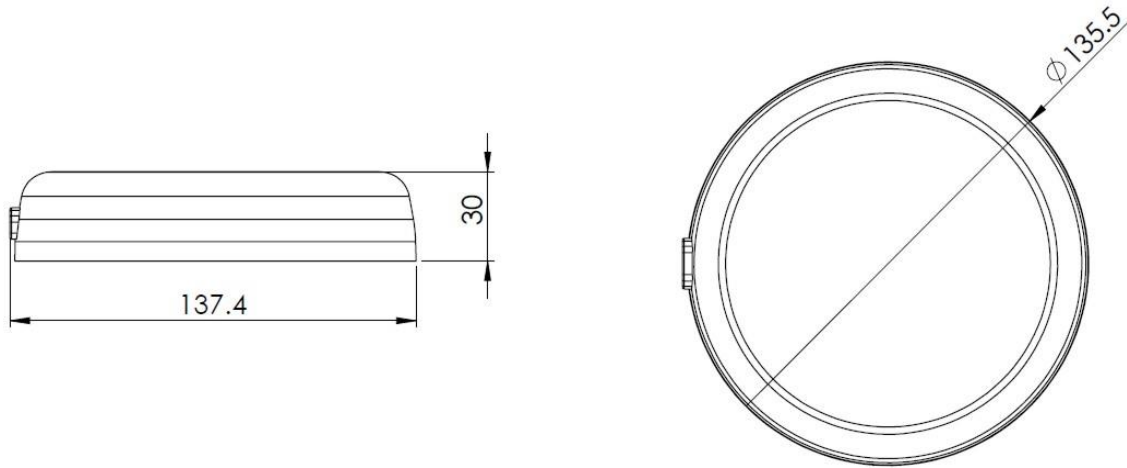
1.3.1. ANT-LBR66193

Material: Lid: ABS / Base: Zamak / Gasket: TPE
 Max. dimensions: 146mm x 32mm (when placed on ground-plane)
 Colour: Black/ Green/ White (for different colours please ask our sales team)



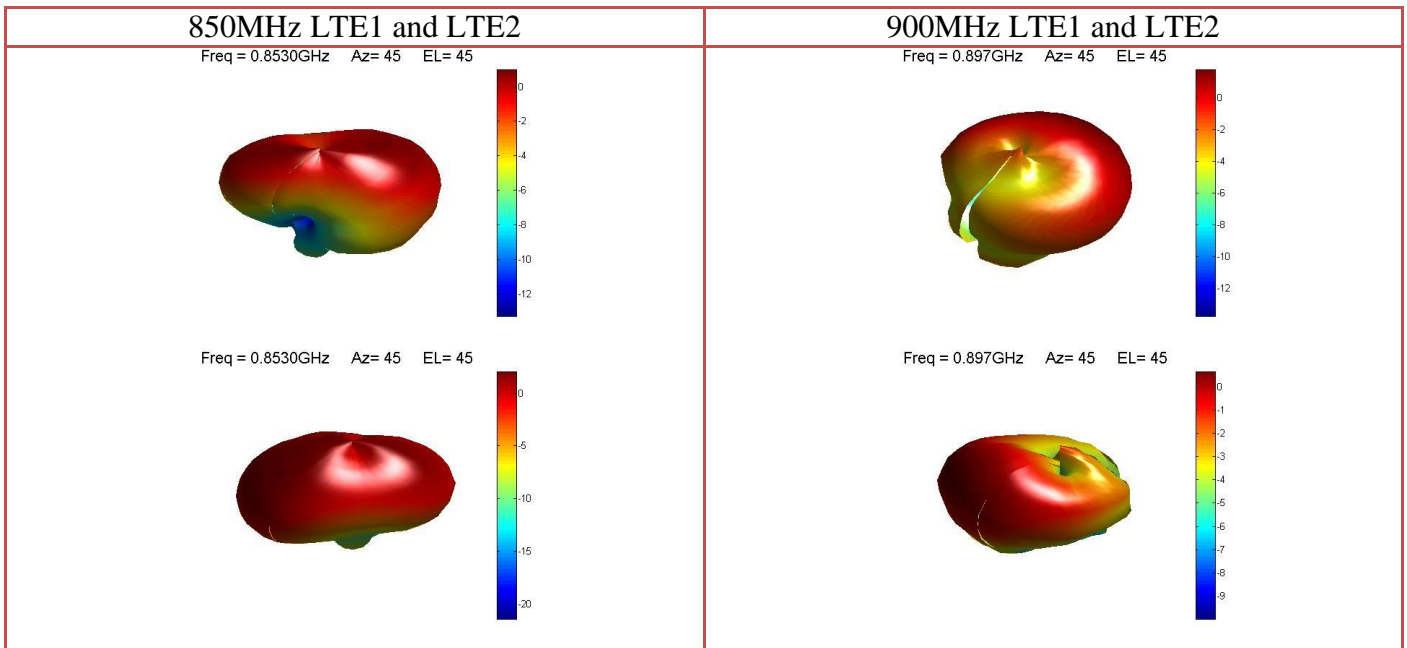
1.3.2. ANT-LNBM66139

Material: Lid: ABS / Base: Zamak
 Max. dimensions: 135.5mm x 30mm
 Colour: Black/ Green/ White (for different colours please ask our sales team)



2. MEASUREMENT

2.1. LTE:



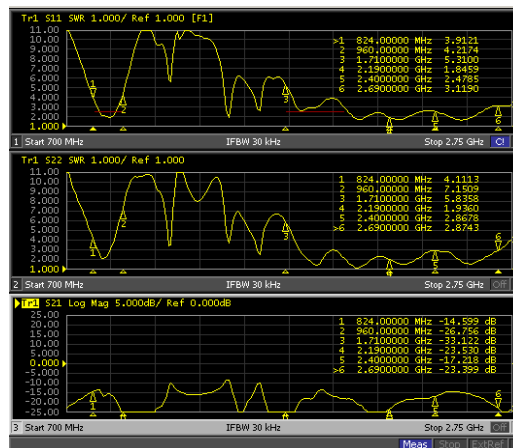
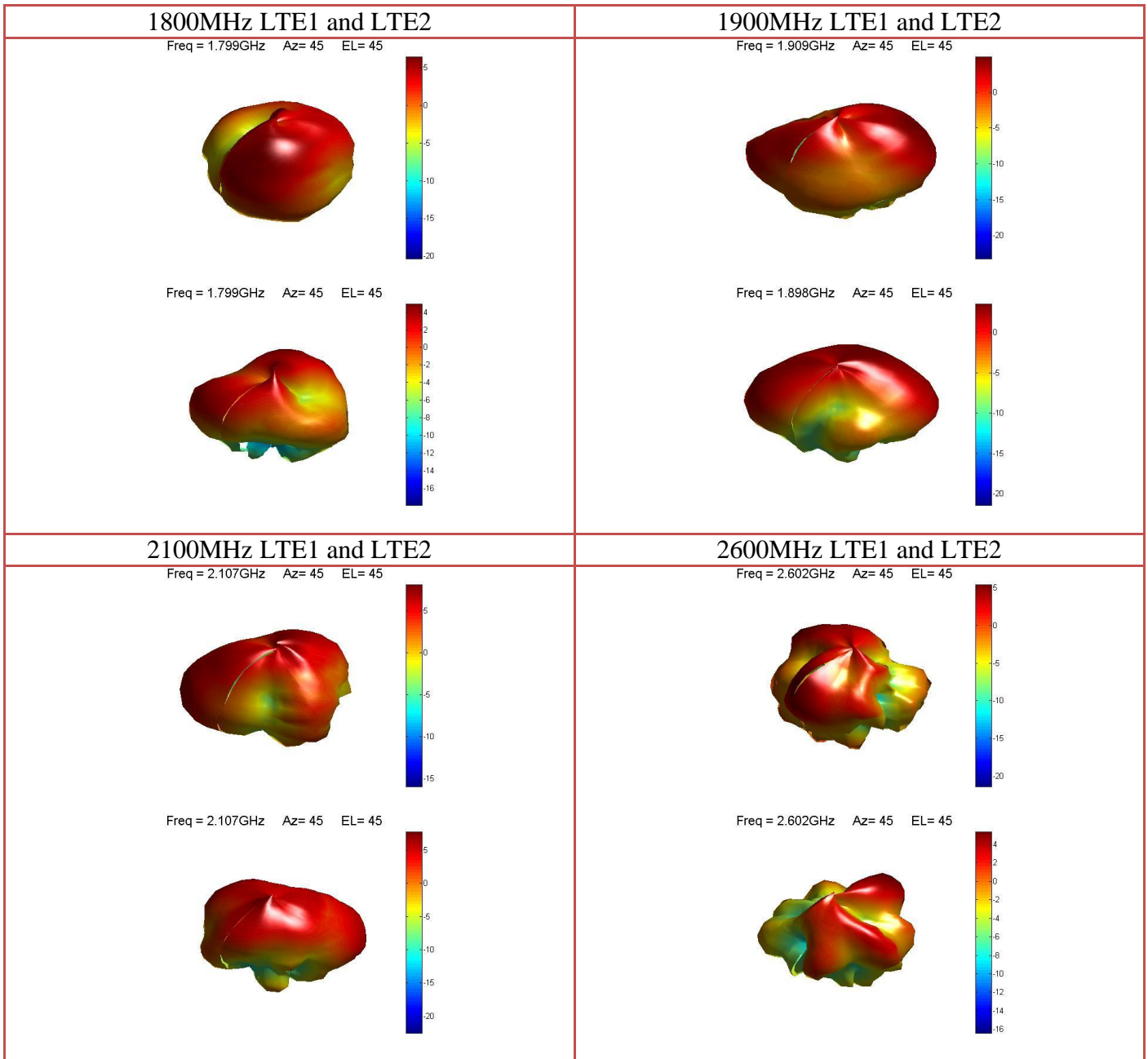


Figure 1 - VSWR for LTE 1 and LTE2 and antenna isolation

3. IMAGES

