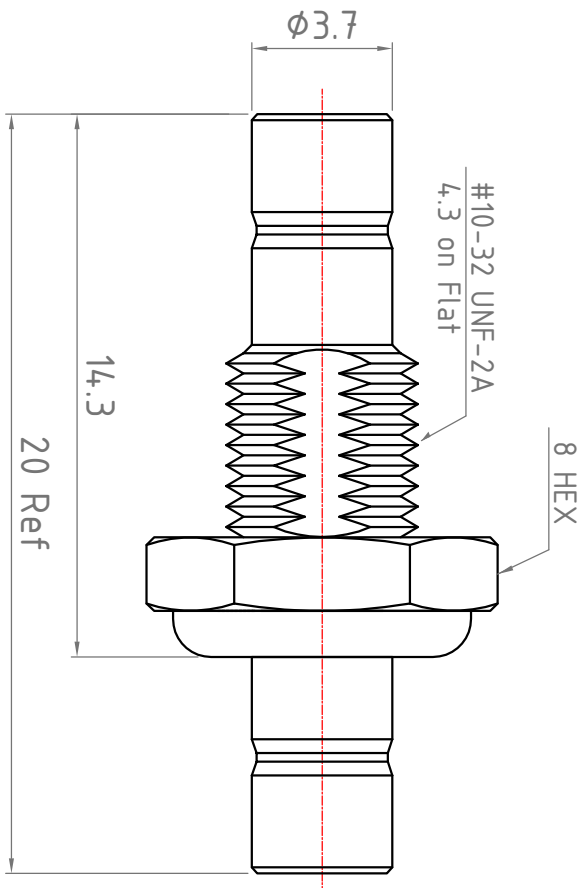
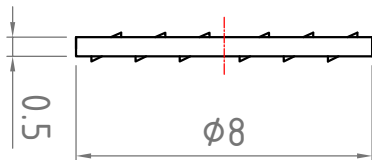
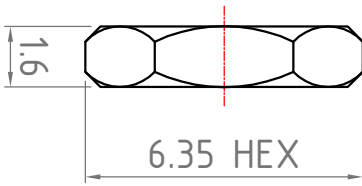
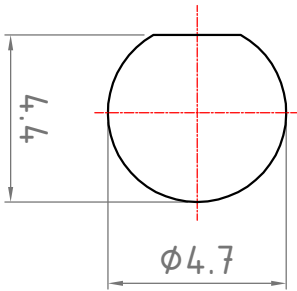


Revisions

ISS	Symbol	Description	Date
B		CHG for New Drawing Frame & New PN System	2011/08/26

Notes :

- Any Electrical, Mechanical or Environmental Test Per MIL-C-39012 Should be Spotligned, as We May Not Have All Testing Equipment to Cover All of It.
- All Metal Materials Are in Compliance with RoHS 2 Directive 2011/65/EU Annex III Section 6 Paragraph.



Recommended Mounting Hole

Finish : [Unit of Plating Thickness Is in Micro Inch (µ)]

- Nickel Plating Thickness : 80 µ" min.
- Gold Plating Thickness : 2 µ" max.

ITEM	Description	Material	Finish	Part Number	QTY
4	Nut	Brass	Finish 1/2		
4	Washer	Brass	Finish 1/2		
3	Inner Contact	Brass	Finish 1/2		
2	Insulator	PTFE	None		
1	Body	Brass	Finish 1/2		

Scale	Date	Rev.	Proprietary Note
NTS	2015/07/01	B	This document contains information proprietary to Round Solutions GmbH & Co KG which is either copyrighted, or patent applied for, and/or protected by trade secret laws. It is not disclosed or reproduced in any form by any method, or for any purpose, without the written permission of Round Solutions, GmbH & Co KG.
Tolerances :		All Dimensions in mm	Customer P/N: TITLE SMB B/H Jack to Jack Adapter
X ±0.2			
XXX±0.05			
Drawn	Checked	Approved	
<i>Lewis</i>	<i>Mark</i>	<i>S. Sun</i>	
2015/07/01	2015/07/01	2015/07/01	

DWG.NO.

ADA-SMB/FBULK-SMB/F



round



solutions