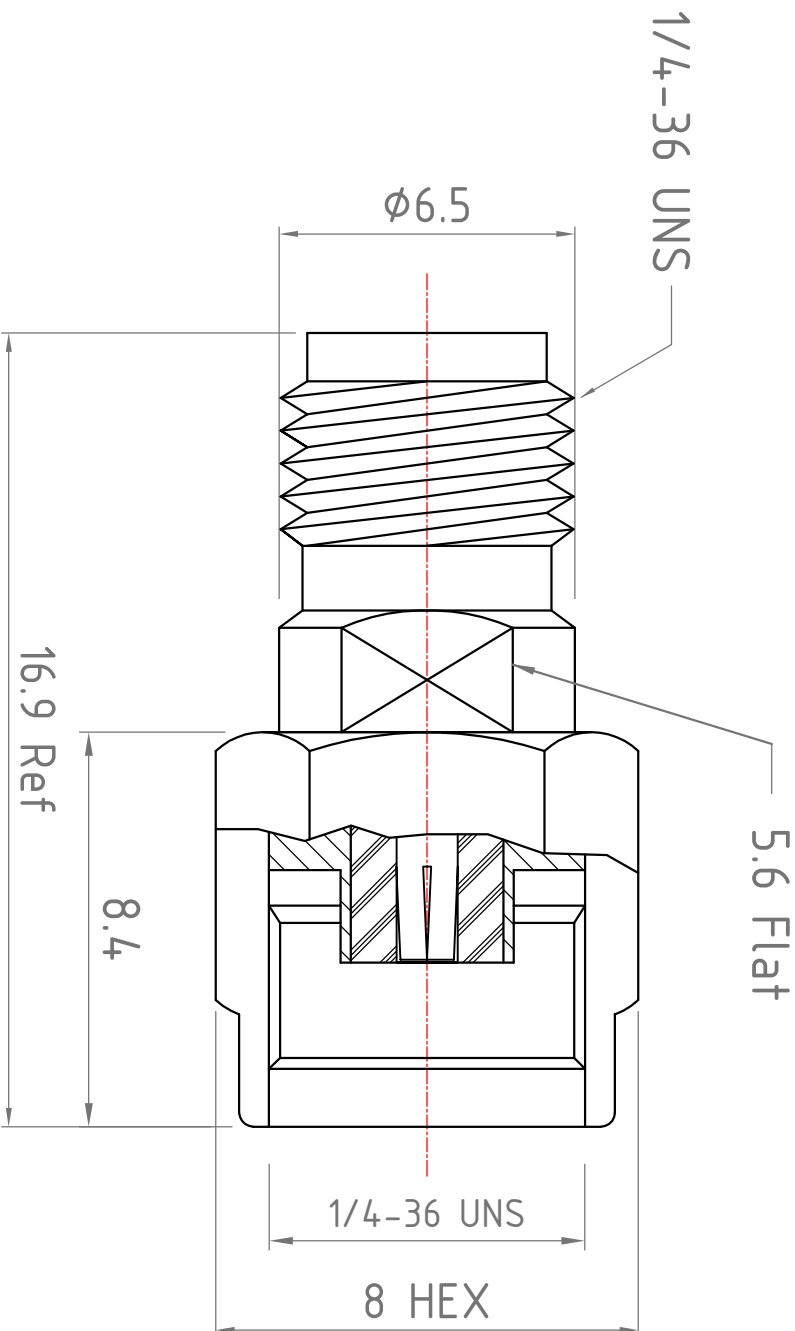


Revisions

ISS	Symbol	Description	Date
B		Change for New Drawing Frame & New PN System	2011/08/26

Notes :

- Any Electrical, Mechanical or Environmental Test Per MIL-C-39012 Should be Spotlited.
- As We May Not Have All Testing Equipment to Cover All of It.
- All Metal Materials Are in Compliance with RoHS 2 Directive 2011/65/EU Annex III Section 6 Paragraph.



Finish : Unit of Plating Thickness Is in Micro Inch(μ l)

1. Nickel Plating Thickness : 80 μ "min.

2. Gold Plating Thickness : 2 μ " max.

ITEM	Description	Material	Finish	Part Number	QTY
4	Inner Contact	P. Bronze	Finish 1/2		
3	Insulator	PTFE	None		
2	Body	Brass	Finish 1/2		
1	Shell	Brass	Finish 1/2		

Scale	Date	Rev.	Proprietary Note
NTS	2015/07/01	B	This document contains information proprietary to Round Solutions GmbH & Co KG, which is either copyrighted or patent applied for, and / or protected by trade secret laws.
Tolerances :			
X : ±0.2		All Dimensions in mm	This document or parts thereof may not be used, disclosed or reproduced in any form without the written permission of Round Solutions, GmbH & Co KG.
XXX±0.05		(Unless Otherwise Specified)	
Drawn	Checked	Approved	Customer P/N:
<i>Jewis</i>	<i>Mark</i>	<i>S. Sun</i>	TITLE
2015/07/01	2015/07/01	2015/07/01	RP SMA Plug to SMA Jack Adapter

DWG.NO.

ADA-SMA/MRP-SMA/F



round



solutions