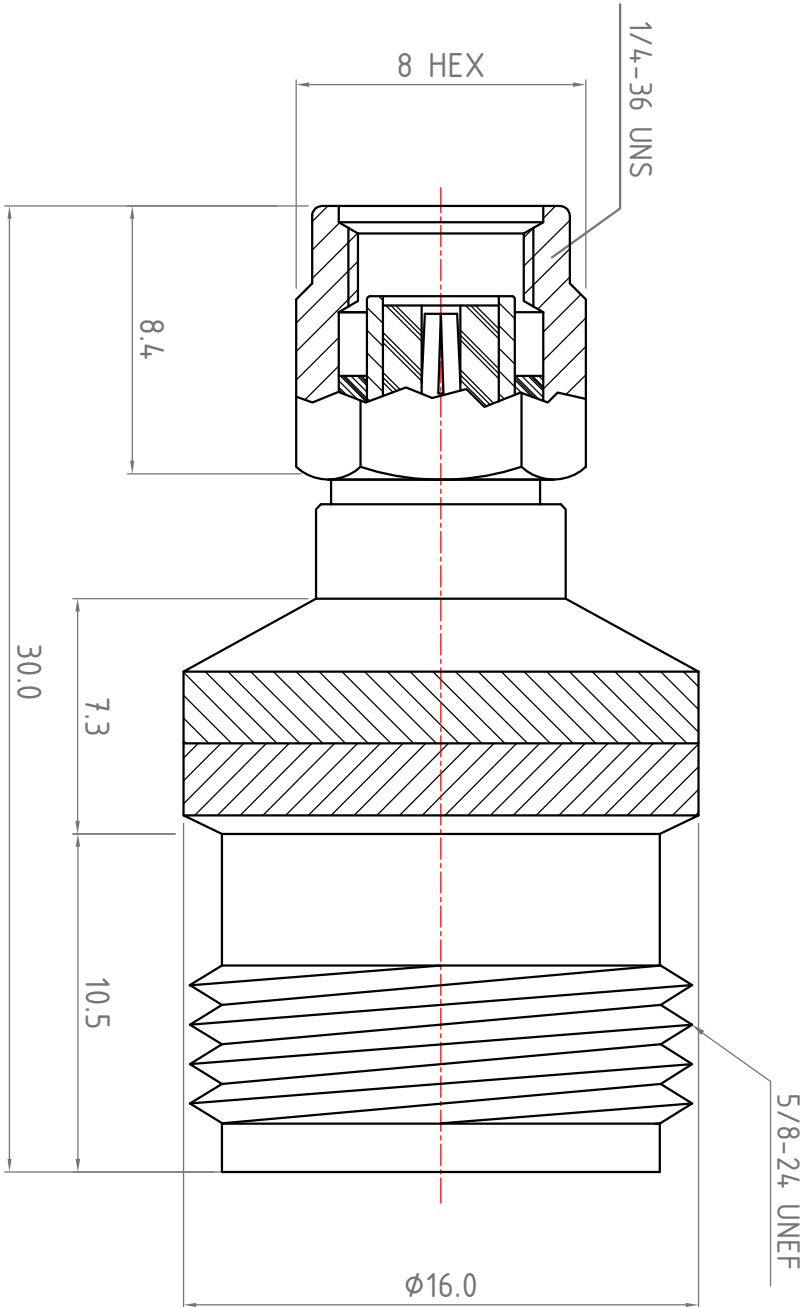


Revisions

ISS	Symbol	Description	Date
B		Change for New Drawing Frame & New PN System	2011/08/26

Notes:

- Any Electrical, Mechanical or Environmental Test Per MIL-C-39012 Should be Spotlighted, as We May Not Have All Testing Equipment to Cover All of It.
- All Metal Materials Are in Compliance with RoHS 2 Directive 2011/65/EU Annex III Section 6 Paragraph.



Electrical :

Impedance : 50 ohm
 Frequency Range : 0-6 GHz
 Working Voltage : 500 V rms MAX
 Insulator Resistance : \geq 5000 Megohms MIN
 Dielectric Withstanding Voltage : 1000 V rms MAX

Finish :

- (Unit of Plating Thickness Is in Micro Inch(μ))
- Copper Strike Plating Thickness : 20 μ "min.
 - Nickel Plating Thickness : 120 μ "min.
 - Gold Plating Thickness : 5 μ "min.

ITEM	Description	Material	Finish	Part Number	QTY
4	Inner Contact	P. Bronze	Finish 1/2/3		
3	Insulator	PTFE	None		
2	Body	Brass	Finish 1/2		
1	Shell	Brass	Finish 1/2		

Scale	Date	Rev.	Proprietary Note
NTS	2015/07/01	B	This document contains information proprietary to Round Solutions GmbH & Co KG which is either copyrighted, or patent applied for, and/or protected by trade secret laws. It is not to be disclosed or reproduced in any form by any means, or for any purpose, without the written permission of Round Solutions, GmbH & Co KG.
Tolerances :			
X .#0.2			
.XX #0.1			
XXX#0.05			
Drawn	Checked	Approved	CUSTOMER P/N:
<i>Louis</i>	<i>Mark</i>	<i>S. Sun</i>	TITLE
2015/07/01	2015/07/01	2015/07/01	RP SMA Plug to N Jack Adapter

DWG.NO.

ADA-SMA/MRP-N/F



round



solutions