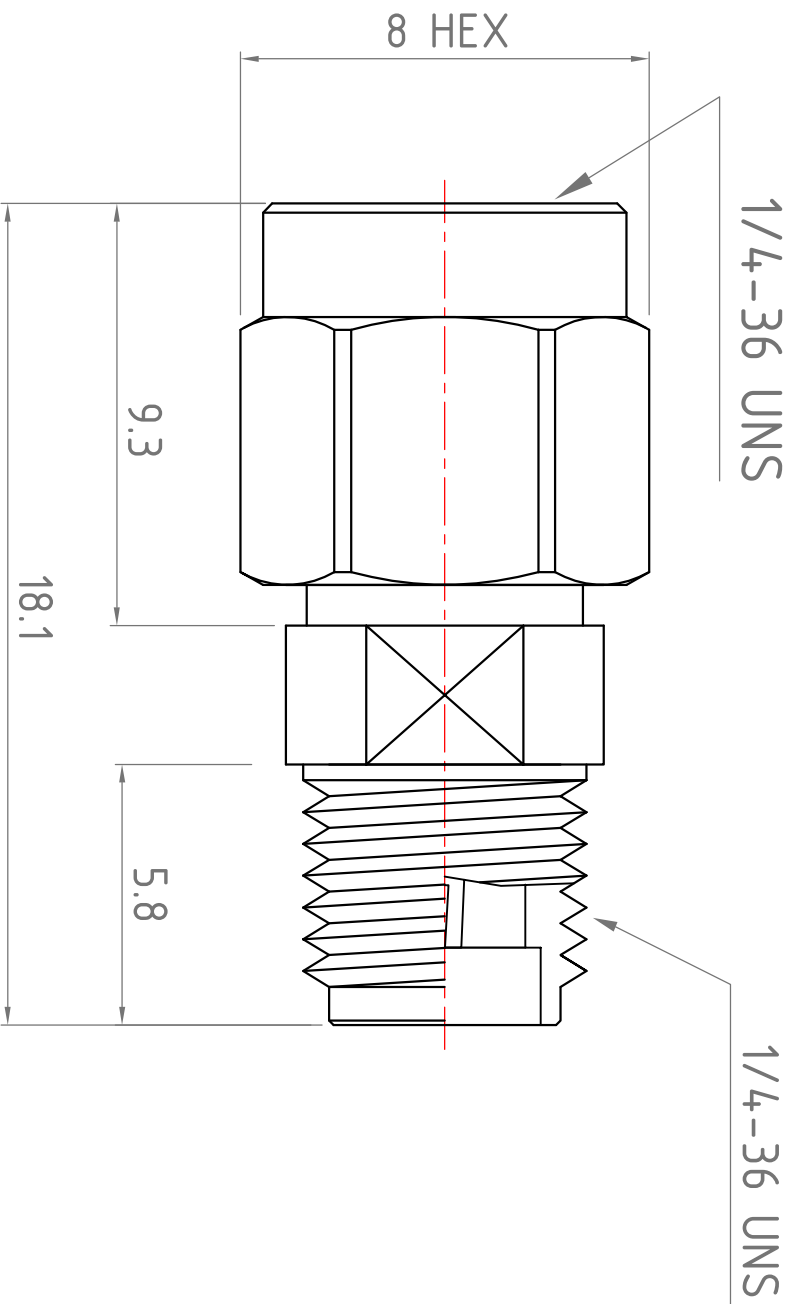


Revisions

ISS	Symbol	Description	Date
B		Change for New Drawing Frame & New PN System	2011/08/26

Notes :

- Any Electrical, Mechanical or Environmental Test Per MIL-C-39012 Should be Spotlited.
- All Metal Materials Are in Compliance with RoHS 2 Directive 2011/65/EU Annex III Section 6 Paragraph.



Electrical :

Impedance : 50 ohm
 Frequency Range : 0~ 18 GHz.
 Working Voltage : 335 Vrms max
 Dielectric Withstanding Voltage : 1000 V rms min.
 Insulator Resistance : 1000M Ω MIN.
 VSWR : 1.1 MAX.

Finish :

- [Unit of Plating Thickness Is in Micro Inch(μ)]
- Copper Strike Plating Thickness : 20 μ"min.
 - Nickel Plating Thickness : 120 μ" min.
 - Gold Plating Thickness : 20 μ" min.
 - Gold Plating Thickness : 2 μ" max.

ITEM	Description	Material	Finish	Part Number	QTY
4	Inner Contact	BeCu	Finish 1/2/3		
3	Insulator	PTFE	None		
2	Body	BRASS	Finish 1/2/4		
1	Shell	BRASS	Finish 1/2/4		

Scale	Date	Rev.	Proprietary Note
NTS	2015/07/01	B	This document contains information proprietary to Round Solutions GmbH & Co KG which is either copyrighted, or patent applied for, and/or protected by trade secret laws. It is not disclosed or reproduced in any form by our customer, or for any purpose, without the written permission of Round Solutions, GmbH & Co KG.
Tolerances :			
X ±0.2			
.XX ±0.1			
XXX±0.05			
Drawn	Checked	Approved	Customer P/N:
<i>Mark</i>	<i>Mark</i>	<i>S. Sun</i>	TITLE
2015/07/01	2015/07/01	2015/07/01	SMA Plug to Jack Adapter

DWG.NO.

ADA-SMA/M-SMA/F



round



solutions