

## Revisions

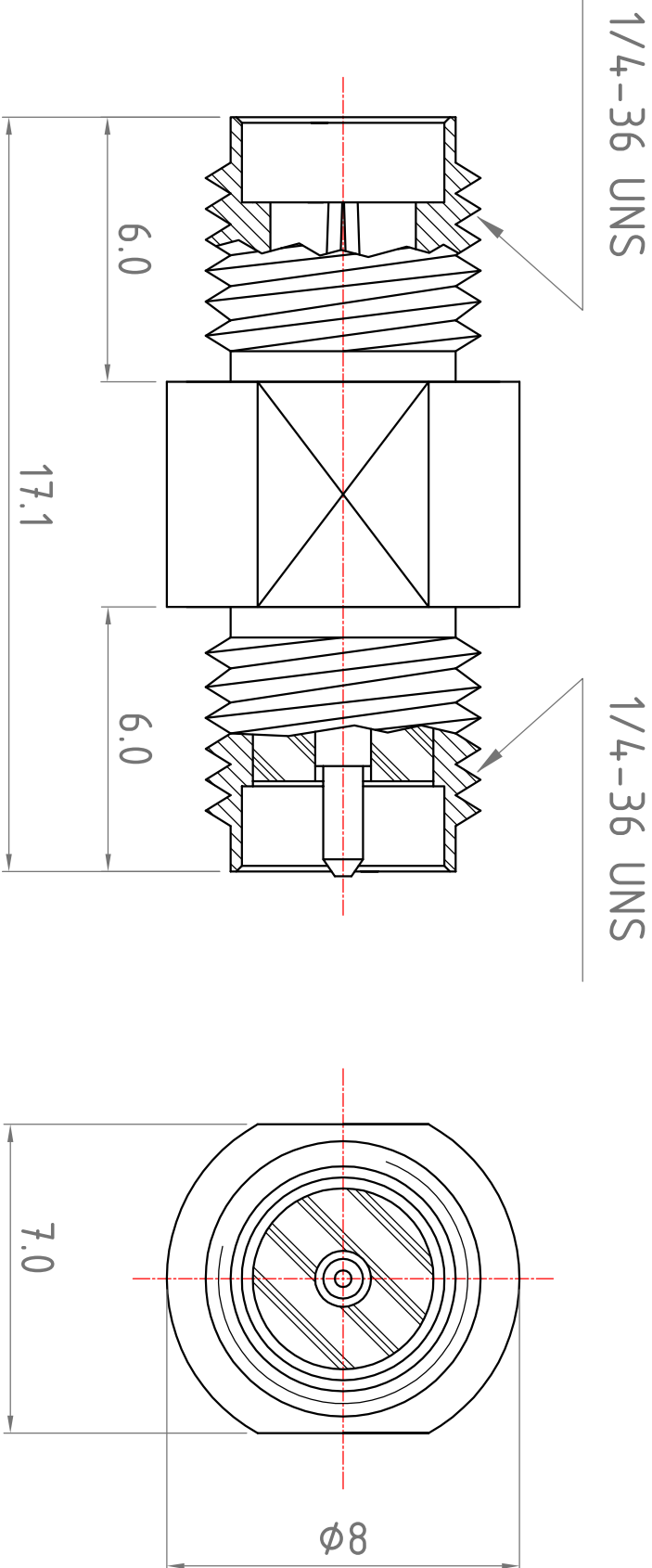
Revisions	Description	Date
B	Change for New Drawing Frame & New PN System	2011/08/26

## Notes:

- Any Electrical, Mechanical or Environmental Test Per MIL-C-39012 Should be Spotlighted, as We May Not Have All Testing Equipment to Cover All of It.
- All Metal Materials Are in Compliance with RoHS 2 Directive 2011/65/EU Annex III Section 6 Paragraph.

## Electrical:

- Impedance : 50 ohm
- Frequency Range : 0~18 GHz.
- Working Voltage : 335 Vrms max.
- Insulator Resistance : 1000M ohms MIN.
- Dielectric Withstanding Voltage : 1000 Vrms min.
- VSWR : 0~10 GHz 1.1 MAX. (Reference)



## Finish :

- Copper Strike Plating Thickness : 20  $\mu$ " min.
- Nickel Plating Thickness : 120  $\mu$ " min.
- Gold Plating Thickness : 30  $\mu$ " min.

ITEM	Description	Material	Finish	Part Number	QTY
1	Body	Brass	Finish 1/2		
2	Insulator	PTFE	None		
3	Inner Contact	BeCu	Finish 1/2/3		
4					

Scale	Date	Rev.	Proprietary Note
NTS	2015/07/03	B	This document contains information proprietary to Round Solutions GmbH & Co KG which is either copyrighted, or patent applied for, and/or protected by trade secret laws. It is to be used, disclosed or reproduced in any form by any method, or for any purpose, without the written permission of Round Solutions, GmbH & Co KG.
Tolerances :			
X $\pm$ 0.2			
.XX $\pm$ 0.1			
XXX $\pm$ 0.05			
Drawn	Checked	Approved	Customer P/N:
<i>Jewis</i>	<i>Mark</i>	<i>S. Sun</i>	TITLE
2015/07/03	2015/07/03	2015/07/03	RP SMA Jack to SMA Jack Adapter

DWG.NO.

ADA-SMA/FRP-SMA/F



round



solutions