

Embedded GSM Antenna

ANT-GXE3301

Miniature multi band GSM antenna for applications like EPOS, remote metering and tracking devices



Technical data GSM

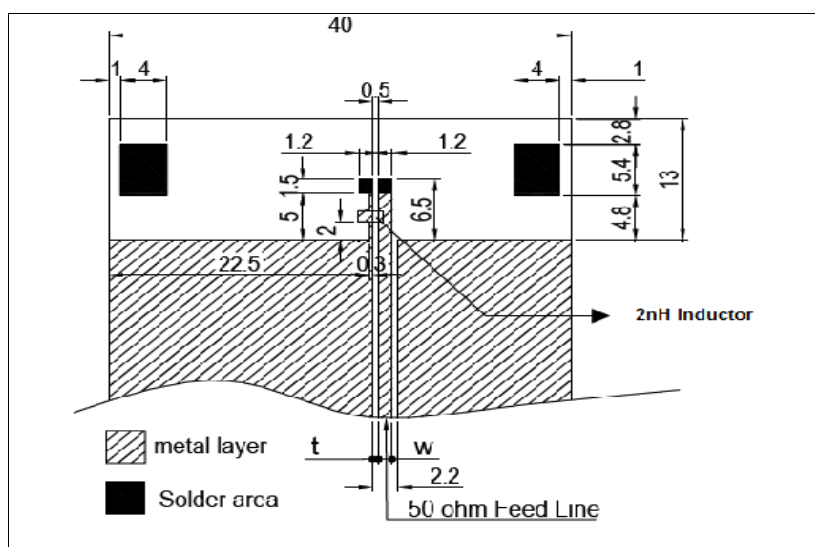
Frequency range:

- GSM 800/900: 824 - 960 MHz
- GSM 1800 / 1900: 1710 - 1990 MHz
- UMTS: 2110 - 2170 MHz
- Impedance: 50 Ohm
- Gain: 1.5 - 4.6 dBi
- VSWR: < 3.3 max. depends on environment
- Polarization: Linear
- Dimensions in mm: 35 x 6 x 5

This SMT Antenna will be delivered "Tape and Reel".

It can be used as a Triband GSM 900 / 1800 / 1900 or as a GSM 850 / 1800 / 1900 with matching circuit.

Starter kit board ANT-GXE3301



Efficiency Measurements

The size of the available groundplane dramatically influences the efficiency of the antenna (of any embedded antenna) like the following chart shows:

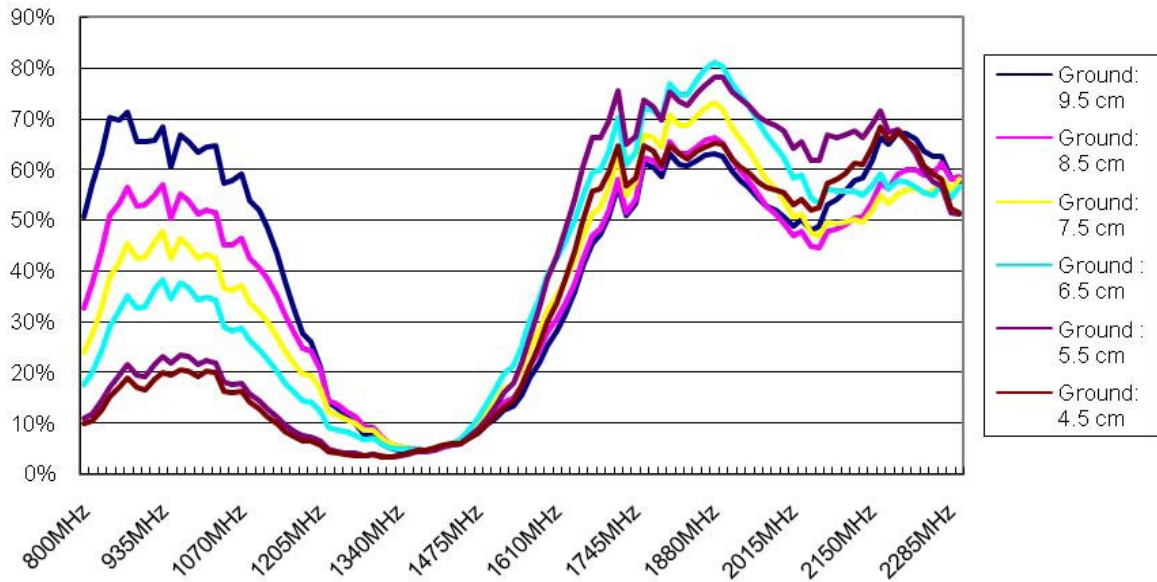


figure 1: reference efficiency

